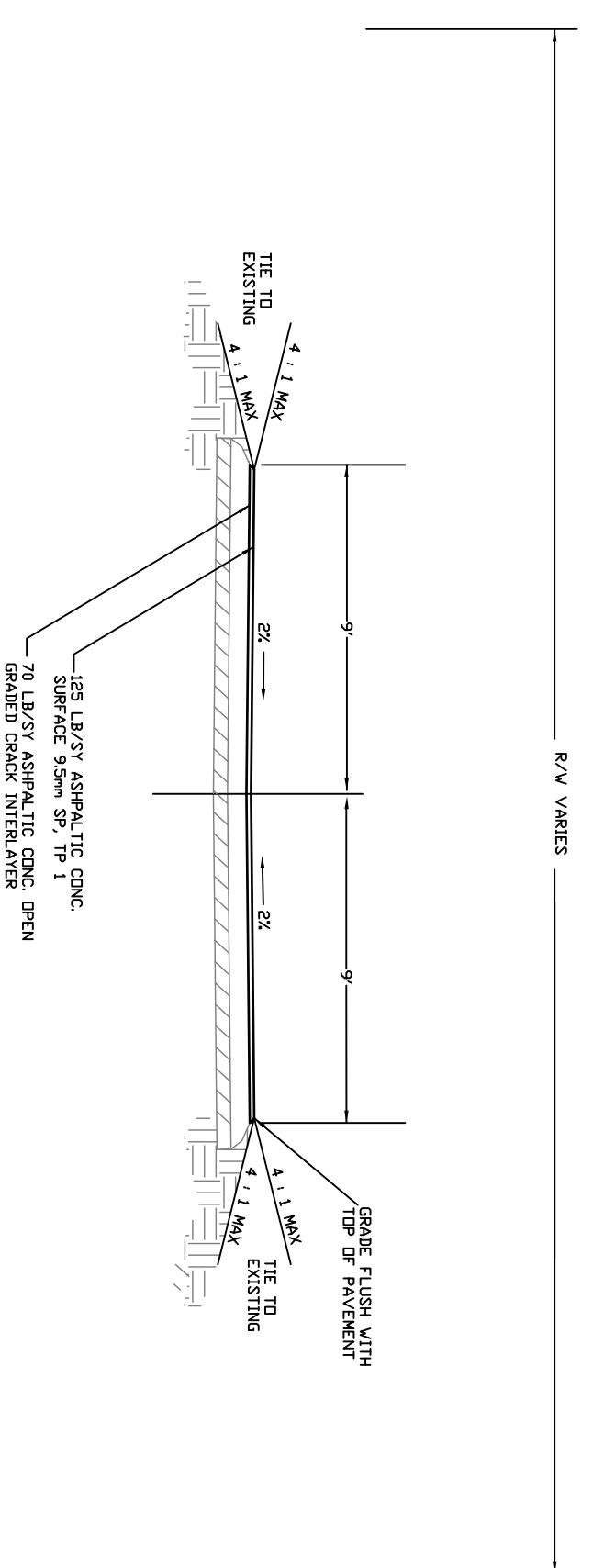


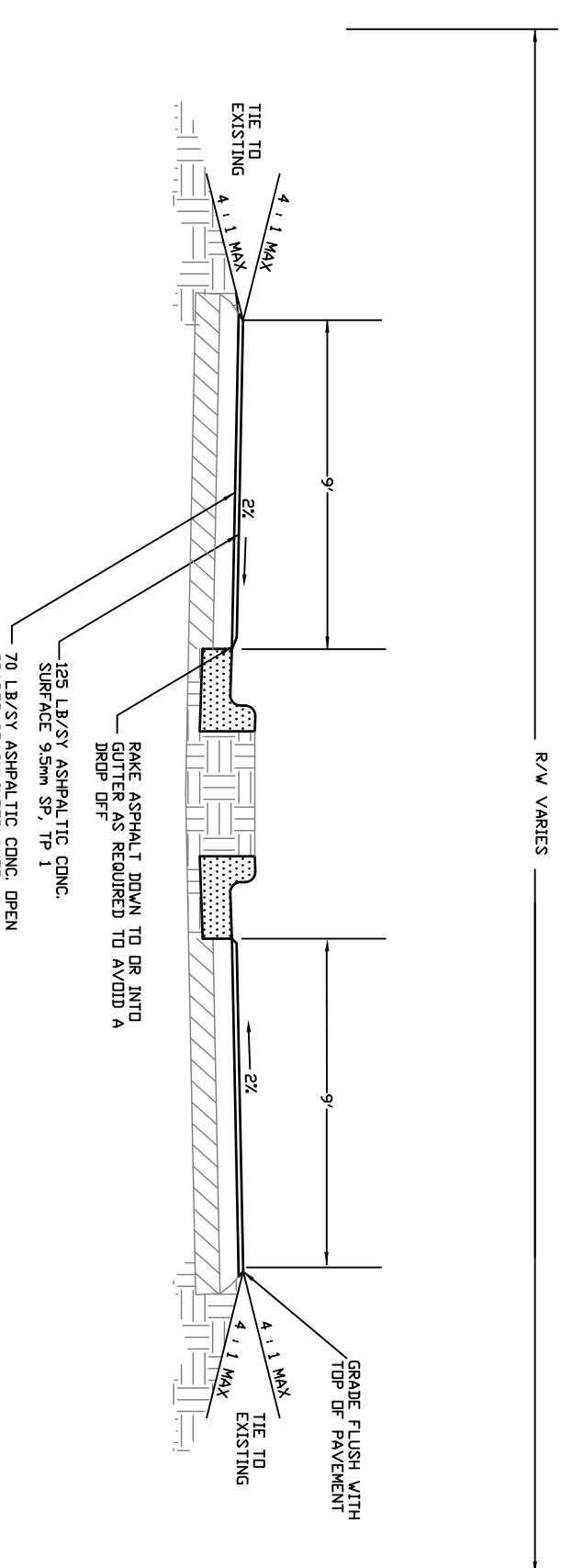
TYPICAL SECTION 1



NOTES
1. THE CONSTRUCTION SHALL BE DONE IN ACCORDANCE WITH THE GEORGIA DEPARTMENT OF TRANSPORTATION'S STANDARD SPECIFICATIONS FOR CONSTRUCTION OF TRANSPORTATION SYSTEMS (2013 EDITION), STANDARDS AND CONSTRUCTION DETAILS.

DINGHY PLACE
COZY BLUFF RD. TO CUL-DE-SAC
CHATHAM COUNTY
DEPARTMENT OF ENGINEERING

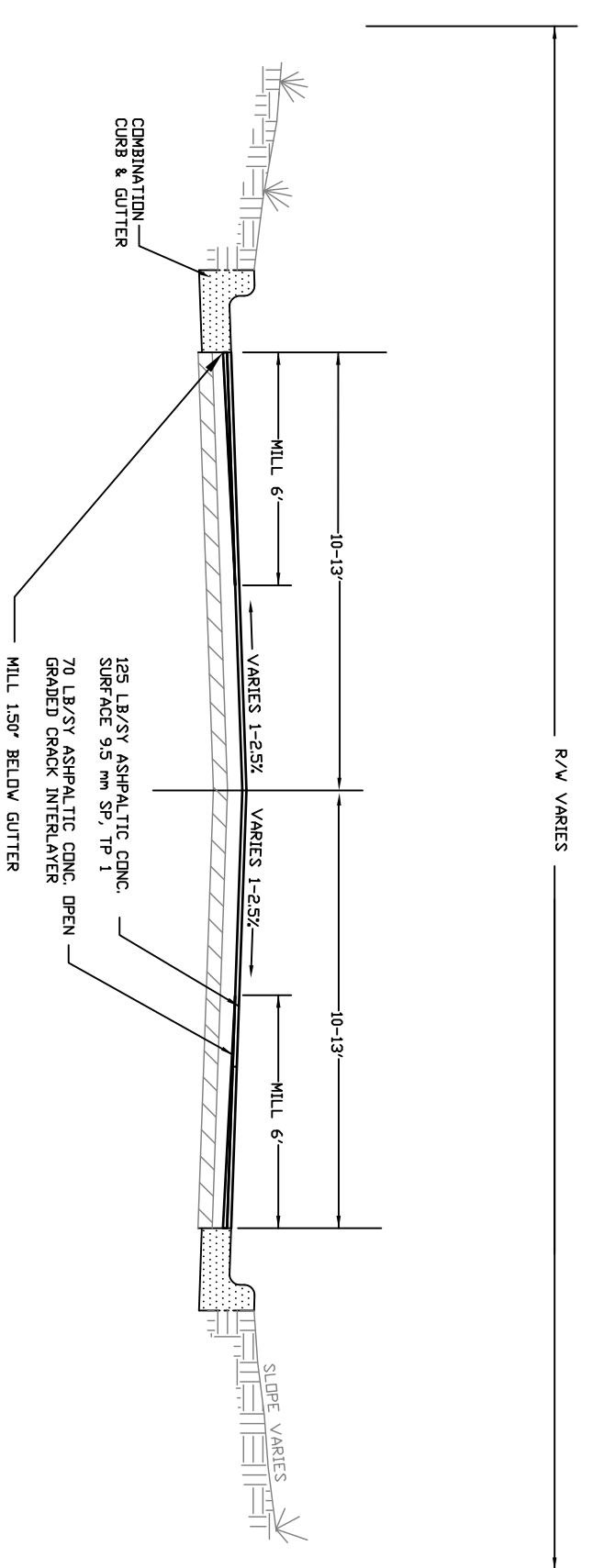
TYPICAL SECTION 2



NOTES
1. THE CONSTRUCTION SHALL BE DONE IN ACCORDANCE WITH THE GEORGIA DEPARTMENT OF TRANSPORTATION'S STANDARD SPECIFICATIONS FOR CONSTRUCTION OF TRANSPORTATION SYSTEMS (2013 EDITION), STANDARDS AND CONSTRUCTION DETAILS.

DINGHY PLACE
CUL-DE-SAC

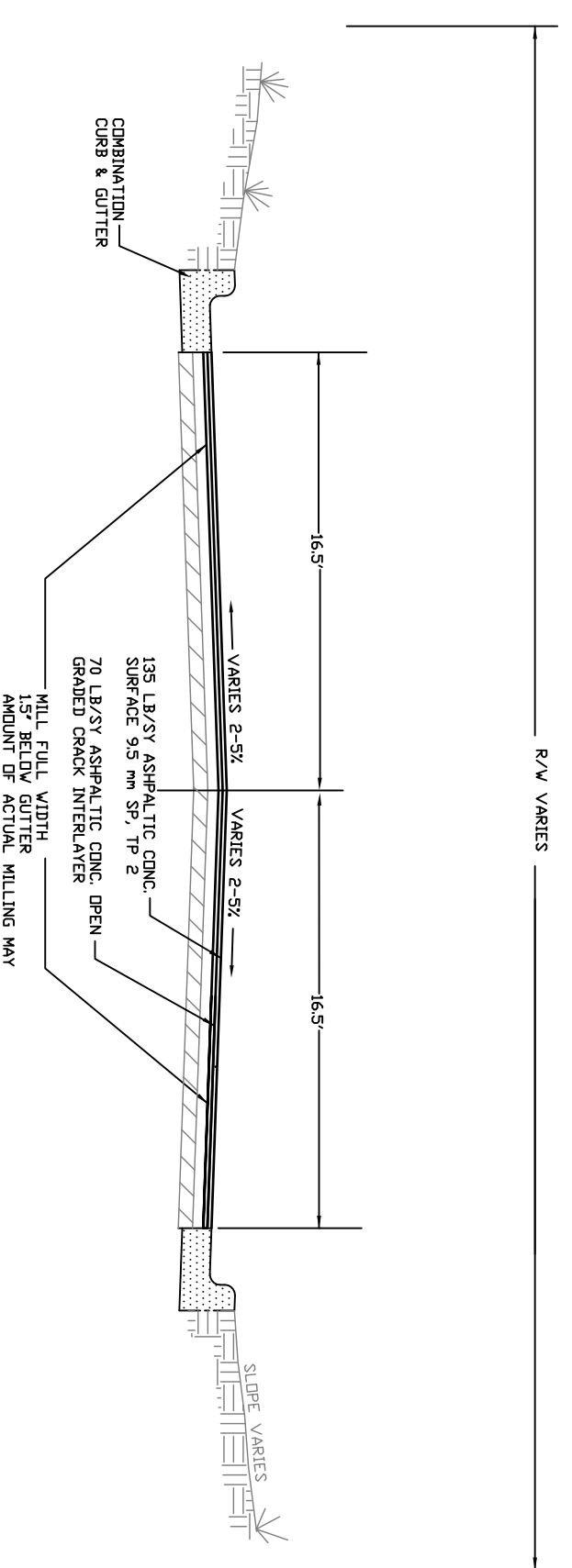
TYPICAL SECTION 3



NOTES
1. THE CONSTRUCTION SHALL BE DONE IN ACCORDANCE WITH THE GEORGIA DEPARTMENT OF TRANSPORTATION'S STANDARD SPECIFICATIONS FOR CONSTRUCTION OF TRANSPORTATION SYSTEMS (2013 EDITION), STANDARDS AND CONSTRUCTION DETAILS.

BRITTLEWOOD DR., KENTSHIRE CT., HALFAX RD., ASHLEY RD.,
MONTFORD CT., WYCKFIELD CT., SEA PALM RD., PINENEEDLE DR.,
WOODRIDGE DR., CHATSWORTH RD., DRUID RD., PALMETTO COVE RD.
AND CROMWELL RD. (WINCHESTER TO CARLTON)

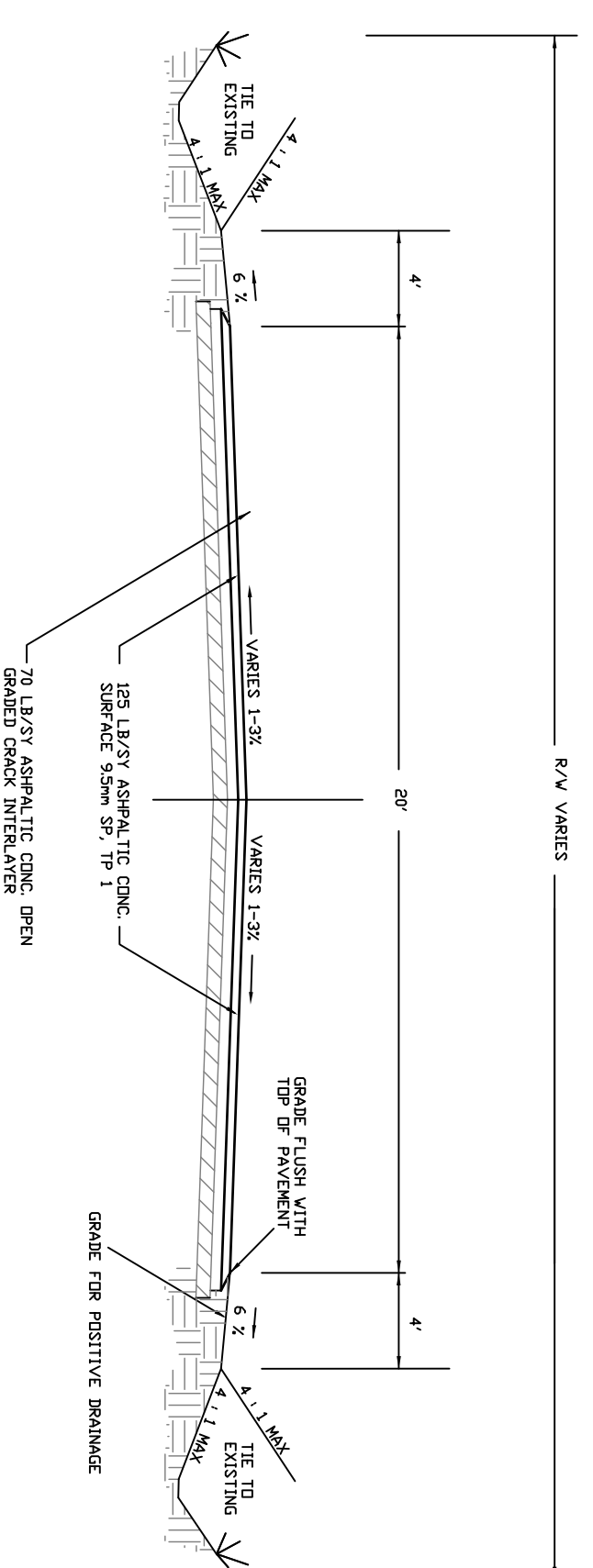
TYPICAL SECTION 4



NOTES
1. THE CONSTRUCTION SHALL BE DONE IN ACCORDANCE WITH THE GEORGIA DEPARTMENT OF TRANSPORTATION'S STANDARD SPECIFICATIONS FOR CONSTRUCTION OF TRANSPORTATION SYSTEMS (2013 EDITION), STANDARDS AND CONSTRUCTION DETAILS.

CROMWELL ROAD (DRUID TO WINCHESTER)

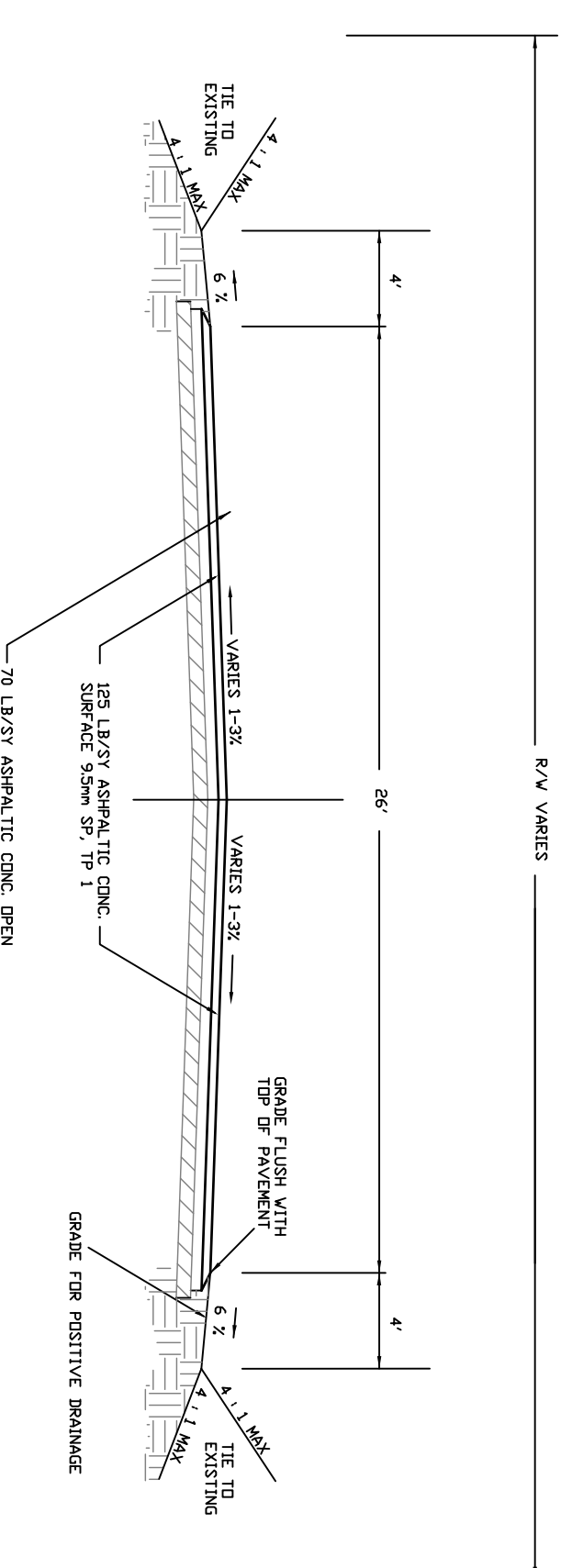
TYPICAL SECTION 5



NOTES
1. THE CONSTRUCTION SHALL BE DONE IN ACCORDANCE WITH THE GEORGIA DEPARTMENT OF TRANSPORTATION'S STANDARD SPECIFICATIONS FOR CONSTRUCTION OF TRANSPORTATION SYSTEMS (2013 EDITION), STANDARDS AND CONSTRUCTION DETAILS.

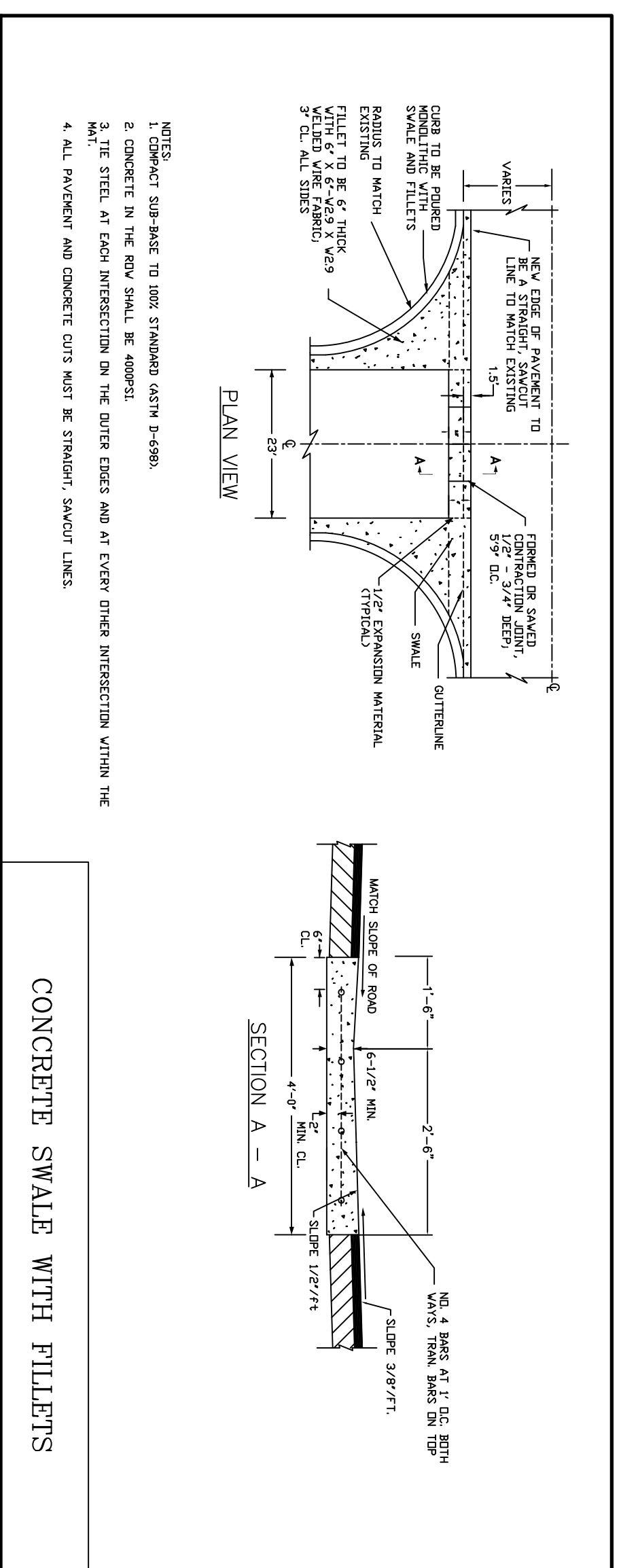
SUNCREST BOULEVARD SOUTH
CHATHAM COUNTY
DEPARTMENT OF ENGINEERING

TYPICAL SECTION 6



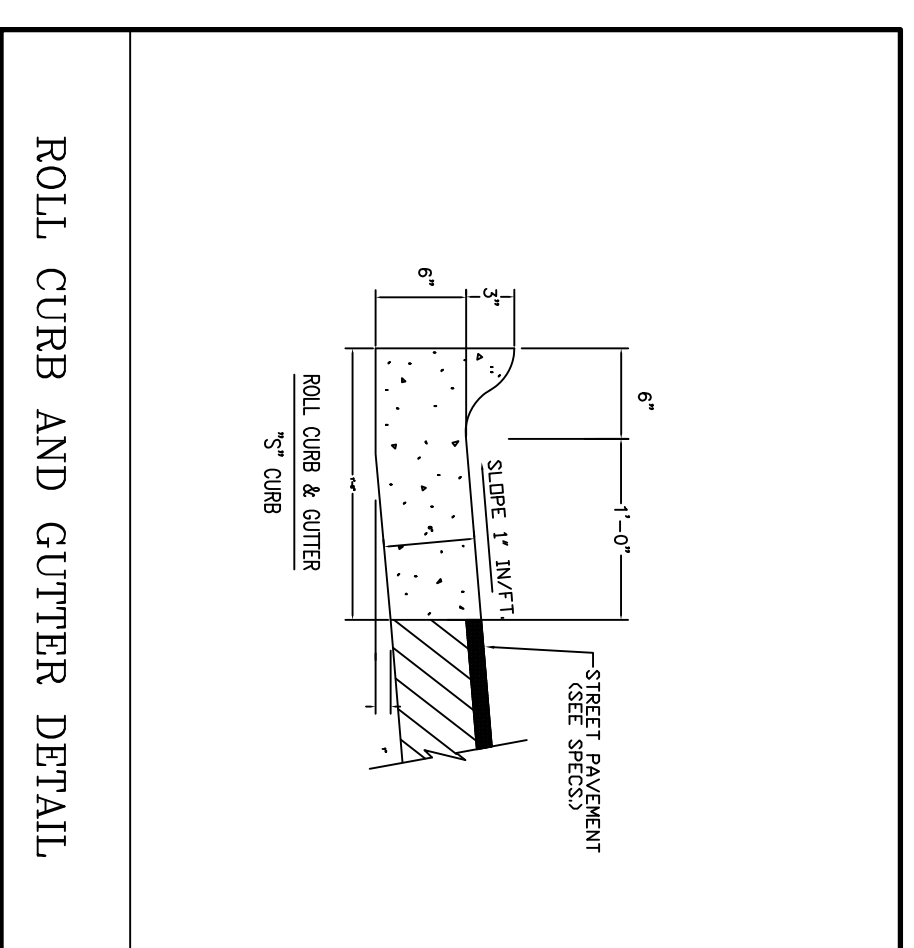
NOTES
1. THE CONSTRUCTION SHALL BE DONE IN ACCORDANCE WITH THE GEORGIA DEPARTMENT OF TRANSPORTATION'S STANDARD SPECIFICATIONS FOR CONSTRUCTION OF TRANSPORTATION SYSTEMS (2013 EDITION), STANDARDS AND CONSTRUCTION DETAILS.

WOODBINE ROAD

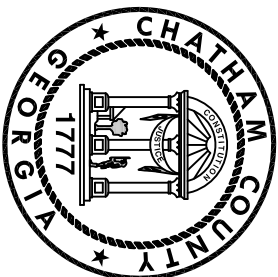


NOTES
1. CONTACT SUB-ARE TO 1088 STANDARD A57N 4-60B.
2. CONCRETE IN THE GUTTS SHALL BE APPROX.
3. THE STEEL AT EACH INTERSECTION ON THE OTHER ENDS AND AT EVERY OTHER INTERSECTION WITHIN THE
4. ALL PAVEMENT AND CONCRETE CUTS MUST BE STRAIGHT, SMOOTH LINES.

CONCRETE SWALE WITH FILLETS



ROLL CURB AND GUTTER DETAIL

 <p>CHATHAM COUNTY DEPARTMENT OF ENGINEERING 124 BULL STREET, SUITE 430 SAVANNAH, GA 31401 PHONE: (912) 652-7800 FAX: (912) 652-7818</p>		<p>CHATHAM COUNTY, GEORGIA</p> <p>SECTIONS AND DETAILS</p> <p>RESURFACING 2016 SECOND LET</p>																					
<p>REVISION DATES</p> <table border="1" style="width:100%; border-collapse: collapse;"> <tr><td> </td><td> </td></tr> <tr><td> </td><td> </td></tr> <tr><td> </td><td> </td></tr> <tr><td> </td><td> </td></tr> <tr><td> </td><td> </td></tr> <tr><td> </td><td> </td></tr> <tr><td> </td><td> </td></tr> <tr><td> </td><td> </td></tr> <tr><td> </td><td> </td></tr> <tr><td> </td><td> </td></tr> </table>																						<p>DRAWING NO.</p> <p>1</p>	