

CHATHAM COUNTY PURCHASING & CONTRACTING DEPARTMENT

ADDENDUM NO. 1 TO 11-0024-4

**FOR: OGEECHEE FARMS DRAINAGE IMPROVEMENTS AT RIDGELAND ROAD & YEMASSEE ROAD**

---

---

**PLEASE SEE THE FOLLOWING FOR ADDITIONS, CLARIFICATIONS AND/OR CHANGES:**

**NOTE: SEE ATTACHED (1) PAGE FOR CLARIFICATIONS /RESPONSES TO QUESTIONS**

**NOTE: REPLACE CURRENT BID FORM WITH THE ATTACHED *REVISED* BID FORM ( 1 page )**

**NOTE: SEE ATTACHED ADDITIONAL PLAN (3) SHEETS :**

SHT-1  
SHT-2  
SHT-3

---

---


**THE PROPOSALS REMAIN DUE: 2PM, NOVEMBER 10, 2011**

---

---

**THE PROPOSER IS RESPONSIBLE FOR MAKING THE NECESSARY CHANGES AND MUST ACKNOWLEDGE RECEIPT OF ADDENDUM.**

11-3-11  
DATE

  
\_\_\_\_\_  
ROBERT E. MARSHALL  
SENIOR PROCUREMENT SPECIALIST  
CHATHAM COUNTY

Ogeechee Farms

Ridgeland and Yemassee Road Drainage Improvements

Addendum #1

November 1, 2011

The following items are included in addendum #1 for the referenced project.

Diversion Road: Attached is a drawing that shows where a temporary diversion road will need to be constructed in order to maintain traffic flow on Yemassee Road during the construction of the headwalls and culvert under the roadway. The downstream headwall has been shifted 14 ft. further downstream in order to allow the headwall to be constructed without having to close Yemassee Road. Upon completion of the downstream headwall and laying of pipe up to the existing roadway, the temporary road will be installed in order to construct the headwall on the upstream side of the project and to lay the rest of the pipe. The contractor shall use sheet piling or other acceptable means to stabilize the existing roadway embankment and excavations as needed during construction of the project. Flaggers will be needed for traffic control as shown on sheet 15 of the construction drawings during working hours. During non-working hours part of the contractor's traffic control plan shall include a temporary barricade around all excavations. Prior to beginning construction on Yemassee Road the contractor will be required to submit their traffic control plan for review and approval prior to beginning work. Additional measures shall be implemented to the approved traffic control plan if needed by Chatham County during the duration of the contract if needed. Upon completion of the work at Yemassee Road, the temporary roadway shall be removed and the site stabilized in accordance with the erosion control plans.

Also attached are drawings that show the revised headwall and piping on the downstream side of Yemassee Road. A revised bid schedule is also attached. The revised bid schedule has revised quantities and a pay item for the temporary gravel road.

Contract Time: The Contract time has been changed from 120 days to 180 days.

Ridgeland Road Closure: Ridgeland Road may be closed to traffic; however, it may not be closed for more than 28 working days unless written approval has been obtained from Chatham County. It is the responsibility of the Contractor to inform the residents, Emergency Services (fire, ambulance, and police), and the Board of Education of any road closures at least one week in advance of the closure. A traffic control plan must be submitted to and approved by Chatham County prior to commencement of construction.

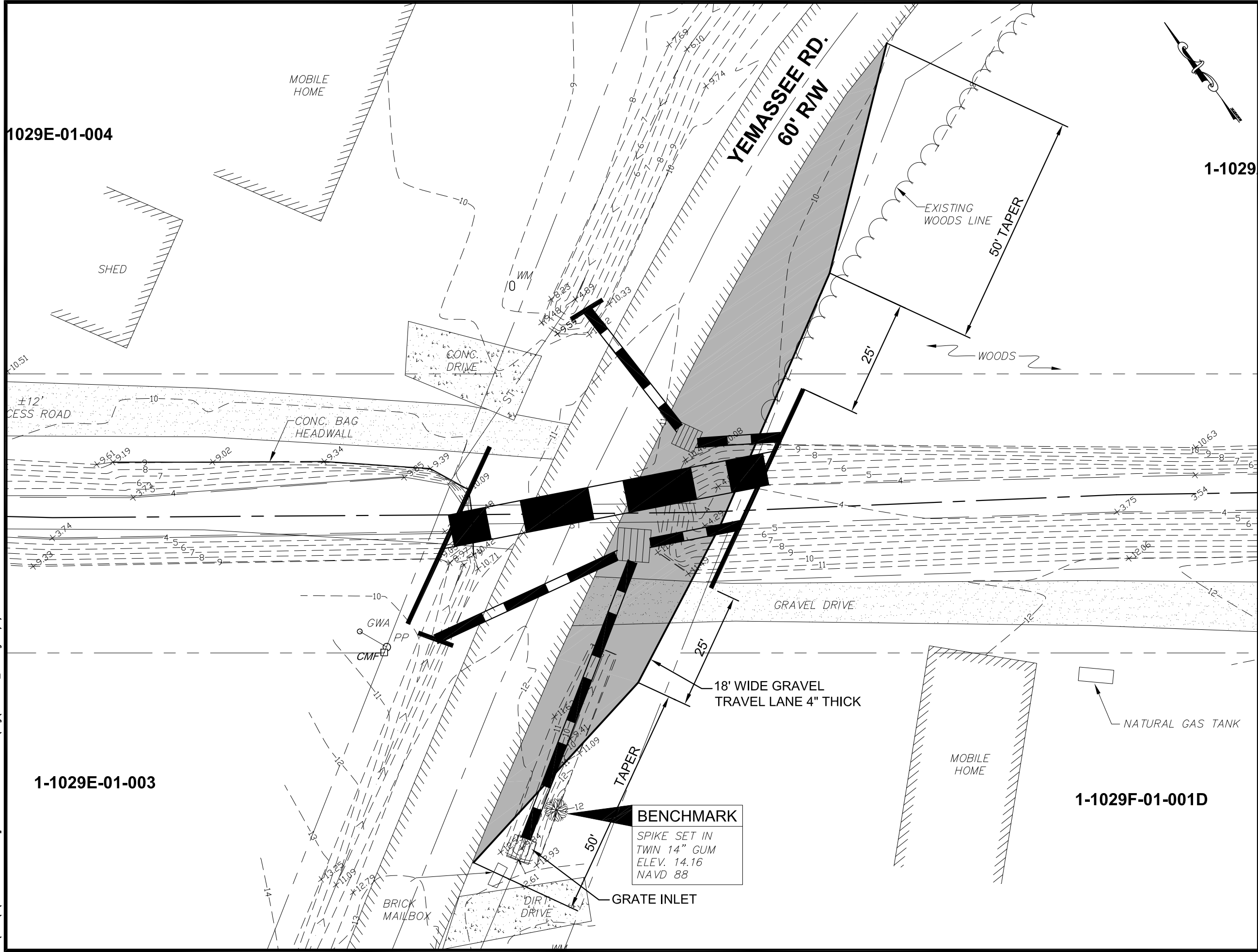
**Bid Sheet**  
**Ogeechee Farms Drainage Improvements at Ridgeland Road and Yemassee Road**  
**Revised 11-1-11**

Item	Description	Unit	Quantity	Unit Price	Item Total
<b>General</b>					
1.	General Conditions / Mobilization (shall not exceed 10% of the total bid amount)	LS	1		
<b>Earthwork</b>					
2a.	Ridgeland Road Clearing: Includes removal of piping, headwalls, driveways, etc.	LS	1		
2b.	Yemassee Road Clearing: Includes removal of piping, headwalls, driveways, etc.	LS	1		
3a.	Grading, General Ridgeland Road	LS	1		
3b.	Grading, General Yemassee Road	LS	1		
4a.	Remove and Replace Unsuitable Material Ridgeland Road	CY	70		
4b.	Remove and Replace Unsuitable Material Yemassee Road	CY	85		
<b>Roadway</b>					
5a.	Cut and Patch Pavement Ridgeland Road	SY	75		
5b.	Cut and Patch Pavement Yemassee Road	SY	200		
6.	Remove and Replace Gravel Driveways: Yemassee Road	EA	1		
7.	Remove and Replace Concrete Driveways: Yemassee Road	EA	1		
<b>Drainage</b>					
8.	18" RCP w/Stone Bedding	LF	88		
9.	24" RCP w/Stone Bedding	LF	208		
10.	54" RCP w/Stone Bedding	LF	137		
11.	84" RCP w/Stone Bedding	LF	70		
12.	18" Flared End Section	EA	3		
13.	24" Headwall	EA	2		
14.	54" Headwall	EA	2		
15.	Headwalls at Yemassee Road	EA	2		
16a.	Grate Inlets: Ridgeland Road	EA	2		
16b.	Grate Inlets: Yemassee Road	EA	3		
17.	Remove and Replace Fence at Ridgeland Road	LF	250		
18.	Install 20 Ft. wide gate in fence at Ridgeland Road	LS	1		
19.	Handrail for Yemassee Road Headwalls	LF	90		
<b>Erosion Control</b>					
20a.	Construction Exit Ridgeland Road	EA	1		
20b.	Construction Exit Yemassee Road	EA	1		
21a.	Type "C" Silt Fence Ridgeland Road	LF	300		
21b.	Type "C" Silt Fence Yemassee Road	LF	280		
22a.	Rip Rap w/Concrete Ridgeland Road	SY	300		
22b.	Rip Rap w/Concrete Yemassee Road	SY	260		
23a.	Grassing Ridgeland Road	SY	3450		
23b.	Grassing Yemassee Road	SY	2180		
24a.	Check Dams Ridgeland Road	EA	12		
24b.	Check Dams Yemassee Road	EA	3		
25a.	Inlet Sediment Traps Ridgeland Road	EA	2		
25b.	Inlet Sediment Traps Yemassee Road	EA	3		
26a.	Tree Protection Fence Ridgeland Road	LF	1370		
26b.	Tree Protection Fence Yemassee Road	LF	335		
27a.	Erosion Matting Ridgeland Road	SY	1000		
27b.	Erosion Matting Yemassee Road	SY	400		
<b>Traffic</b>					
28a.	Traffic Control Ridgeland Road	LS	1		
28b.	Traffic Control Yemassee Road	LS	1		
28c.	Temporary Gravel Road Yemassee Road	LS	1		
<b>Miscellaneous</b>					
29.	Demolition of Existing Wooden Building	LS	1		
30.	Field Condition Allowance				\$15,000.00

\_\_\_\_\_  
(Signed) (Date)

<b>Total Estimated Cost</b>	
-----------------------------	--

O:\2010\101963 Task Order #15 Yemassee Rd Culverts\dwg\10-1963C\_B03.dwg 11/2/2011 1:29:58 PM EDT

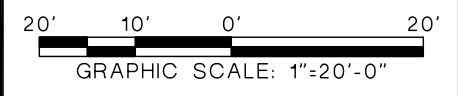


**emc** EMC ENGINEERING SERVICES, INC.  
 CIVIL MARINE ENVIRONMENTAL  
 POST OFFICE BOX 8101  
 23 EAST CHARLTON STREET  
 SAVANNAH, GEORGIA 31412  
 PHONE: (912) 232-8533  
 FAX: (912) 233-4580  
 savannah@emc-eng.com

ALBANY, ATLANTA, AUGUSTA, BRUNSWICK, COLUMBUS, SAVANNAH, STATESBORO & VALDOSTA

**YEMASSEE ROAD DIVERSION  
 OGEECHEE FARMS PHASE II  
 DRAINAGE IMPROVEMENTS  
 RIDGELAND AND YEMASSEE ROAD  
 CHATHAM COUNTY, GEORGIA**

Prepared for:

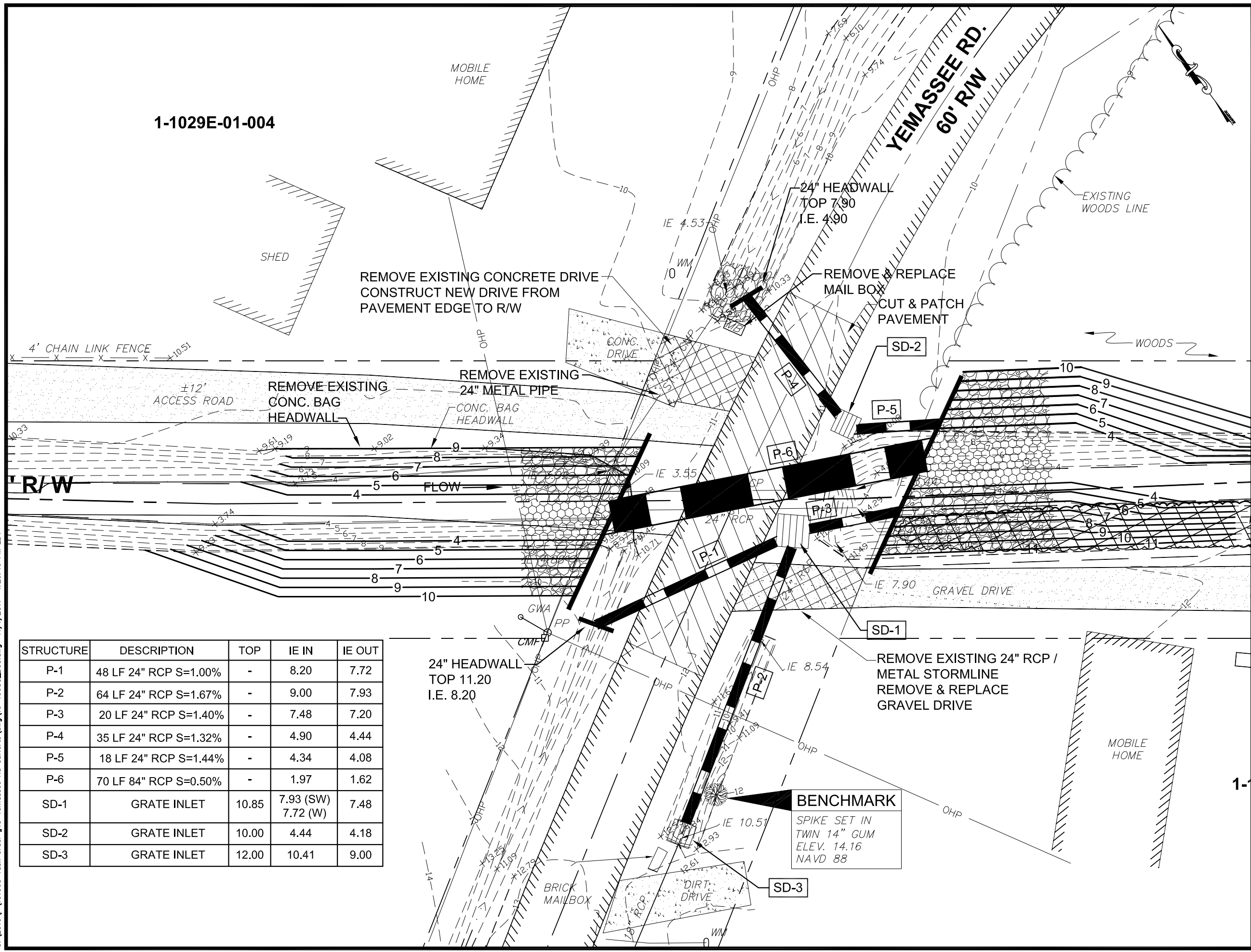


PROJECT NO.:	10-1963
DRAWN BY:	MV
DESIGNED BY:	BWL
SURVEYED BY:	-
SURVEY DATE:	-
CHECKED BY:	BWL
SCALE:	1" = 20'
DATE:	NOV. 2011

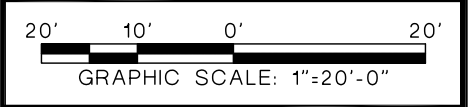
**YEMASSEE RD. REVISED HEADWALL & PIPING  
 OGEECHEE FARMS PHASE II  
 DRAINAGE IMPROVEMENTS  
 RIDGELAND AND YEMASSEE ROAD  
 CHATHAM COUNTY, GEORGIA**

Prepared for:

1-1029E-01-004

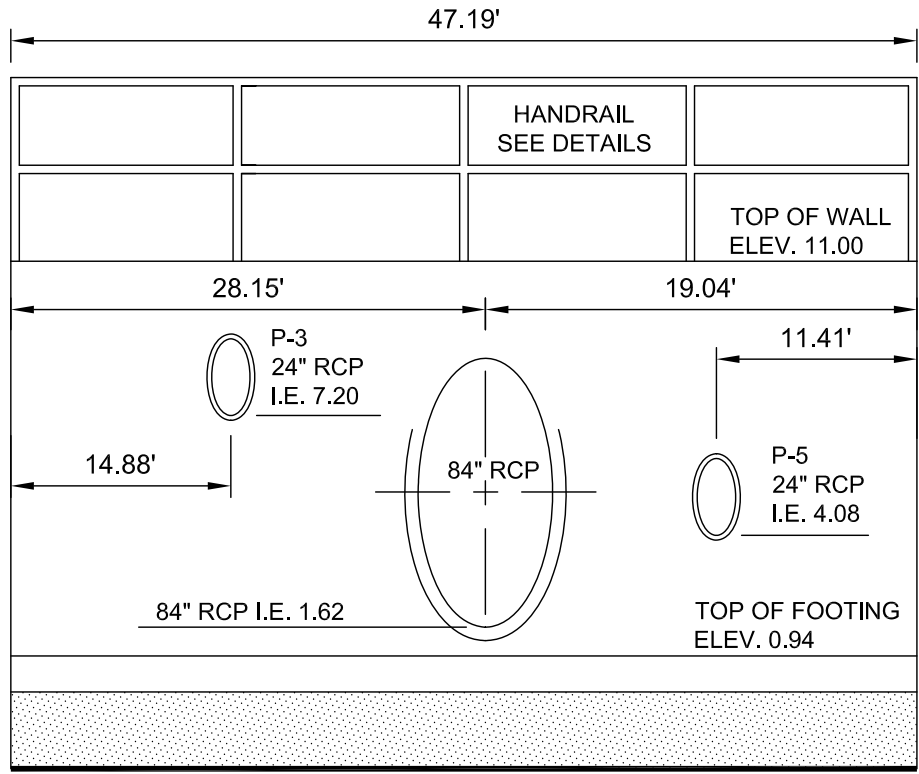


STRUCTURE	DESCRIPTION	TOP	IE IN	IE OUT
P-1	48 LF 24" RCP S=1.00%	-	8.20	7.72
P-2	64 LF 24" RCP S=1.67%	-	9.00	7.93
P-3	20 LF 24" RCP S=1.40%	-	7.48	7.20
P-4	35 LF 24" RCP S=1.32%	-	4.90	4.44
P-5	18 LF 24" RCP S=1.44%	-	4.34	4.08
P-6	70 LF 84" RCP S=0.50%	-	1.97	1.62
SD-1	GRATE INLET	10.85	7.93 (SW) 7.72 (W)	7.48
SD-2	GRATE INLET	10.00	4.44	4.18
SD-3	GRATE INLET	12.00	10.41	9.00



PROJECT NO.: 10-1963  
 DRAWN BY: MV  
 DESIGNED BY: BWL  
 SURVEYED BY: -  
 SURVEY DATE: -  
 CHECKED BY: BWL  
 SCALE: 1" = 20'  
 DATE: NOV. 2011

c:\2010\p\101963 Task Order #15 Yemassee Rd Culverts\dwg\10-1963C\_B03.dwg 11/1/2011 4:26:46 PM EDT



**ELEVATION DOWNSTREAM SIDE**

NOT TO SCALE

**EMC ENGINEERING SERVICES, INC.**  
 POST OFFICE BOX 8101  
 23 EAST CHARLTON STREET  
 SAVANNAH, GEORGIA 31412  
 CIVIL PHONE: (912) 644-3200  
 MARINE FAX: (912) 233-4580  
 ENVIRONMENTAL savannah@emc-eng.com

ALBANY, ATLANTA, AUGUSTA, BRUNSWICK,  
 COLUMBUS, STATESBORO & VALDOSTA

**YEMASSEE ROAD HEADWALL  
 OGEECHEE FARMS PHASE II - DRAINAGE IMPROVEMENTS  
 RIDGELAND AND YEMASSEE ROAD**

Prepared for:  
**CHATHAM COUNTY, GEORGIA**

SHEET: **3** OF **3**

PROJECT NO.: 10-1963  
 DRAWN BY: MV  
 DESIGNED BY: BWL  
 CHECKED BY: BWL  
 SCALE: NTS  
 DATE: NOV. 2011