

CHATHAM COUNTY PURCHASING DEPARTMENT

ADDENDUM NO. 2 TO BID NO. 13-0111-4

FOR: WALTHOUR BETZ CREEK BRIDGE REPLACEMENT

PLEASE SEE THE FOLLOWING FOR ADDITIONS, CLARIFICATIONS AND/OR CHANGES:

NOTE:

General Note 12 is revised to include the following: The contractor shall install the galvanized anchor bolts as shown in the attached water main hanger detail for future use. The hangers and hanger assemblies, will be provided and installed by others at a later date. The beams will remain the same type and size, however, minor revisions to accommodate the water line hangers will be provided prior to construction.

THE BID OPENING REMAINS: 2PM, DECEMBER 12, 2013

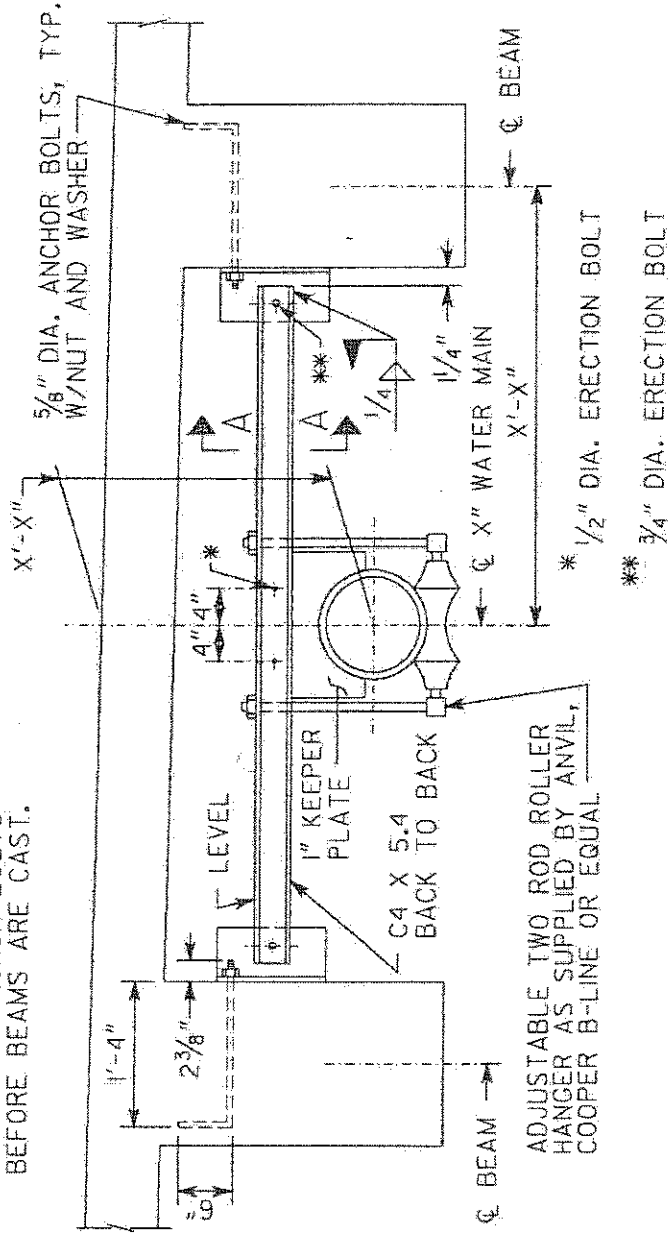
12-4-13
DATE



ROBERT E. MARSHALL
SENIOR PROCUREMENT SPECIALIST
CHATHAM COUNTY

NOTE: SPACE WATER MAIN HANGERS AT 10'-0" ON CENTERS. SPACE HANGERS TO CLEAR ALL EDGE BEAMS AND INTERMEDIATE BENTS.

NOTE: SET ANCHOR BOLTS BEFORE BEAMS ARE CAST.



* 1/2" DIA. ERECTION BOLT
 ** 3/4" DIA. ERECTION BOLT

WATER MAIN HANGER DETAIL